



JOB NAME:	CONTRACTOR:
JOB LOCATION:	APPROVAL:
ENGINEER:	CONTRACTOR P.O.:
APPROVAL:	REPRESENTATIVE:

EPVCBFVE

PVCBFVE DIRECT MOUNT, FULL PORT PVC BUTTERFLY VALVE W EPDM SEATS W VALBIA ELECTRIC ACTUATOR
SIZES 2" TO 12"

EPVCBFVV - VITON

*001	12V AC/DC	*002	24V AC/DC	*003	100-240VAC
01	BATTERY BACKUP	*02*	POSITIONER	*04*	BAT. BACKUP W POS

SPECIFICATIONS

The EPVCBFV series electric package features the compact and lightweight PVCBFV ANSI class 150 PVC Butterfly valve with a 410 stainless steel stem with a PVC body and disc with EPDM seats standard. The PVCBFV also includes an ISO 5211 mounting pattern on top for direct mounting ideal for actuation.

The actuator is a Valbia VB series, incorporating standard dual voltages, 2 extra limit switches, a heater & thermostat, torque limiter, ISO dual patterns, square drive, position indicator, PG11 connections, and a 75% duty cycle. Optional equipment includes positioning boards, and battery back-up fail safe models.

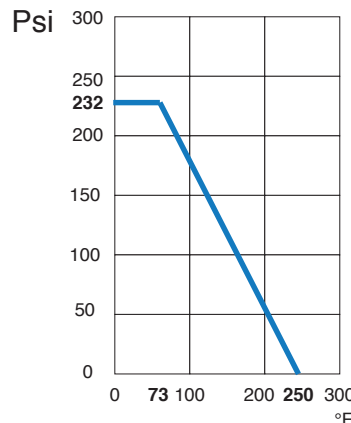
ACTUATOR FEATURES

- Dual Voltages
- CSA, UL approved
- 24V AC/DC and 100-240V AC
- ISO 5211 dual patterns
- 75% Duty Cycle
- High-Strength, Die Cast Aluminum Powder Coated Housing
- Temperature Range -4°F to 131°F
- NEMA 4 Housing
- Two Auxiliary Switches Standard
- Torque limiter standard
- 1/2" Conduit connections

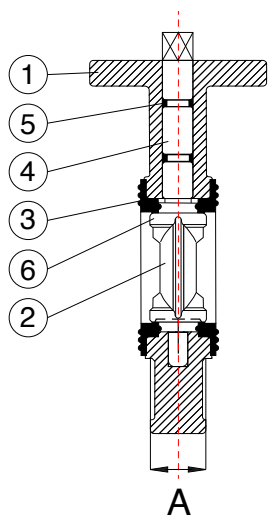
VALVE FEATURES

- Corrosion resistant thermoplastic body and disc
- Compact and light weight design
- Standard EPDM seats (Viton seats optional)
- Full boot seal for durable performance
- ANSI B16.5 Class 150 Flange Pattern
- ISO 5211 compliant mounting pattern for actuators or gear operators
- Pressure rating: 150 psi non-shock wafer at 73°F 2-10", 100 psi for 12"
- With its robust boot/seal design, no flange gaskets are required
- 100% Bubble tight seal

PRESSURE TEMPERATURE CHART FOR N500S



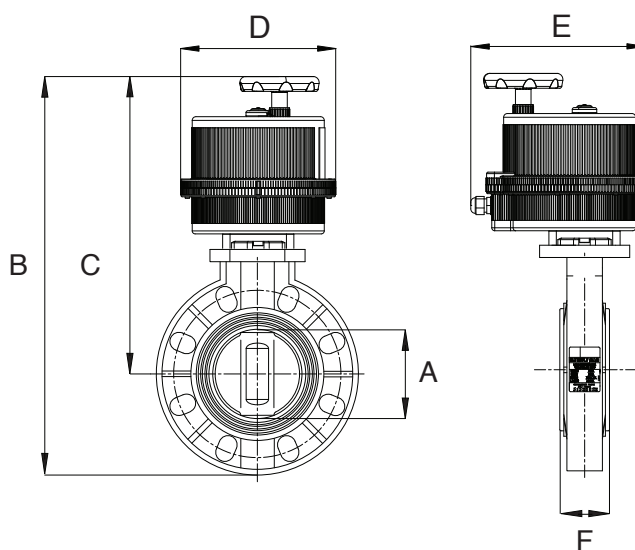
BILL OF MATERIALS FOR PVCBFVE



N POS	PART NAME	MATERIAL	N PCS
1	BODY	PVC	1
2	DISC	PVC	1
3	SEAL	EPDM VITON	1
4	STEM	SUS 410	1
5	STEM O-RING	EPDM	1
6	DISC O-RING	EPDM	1

A

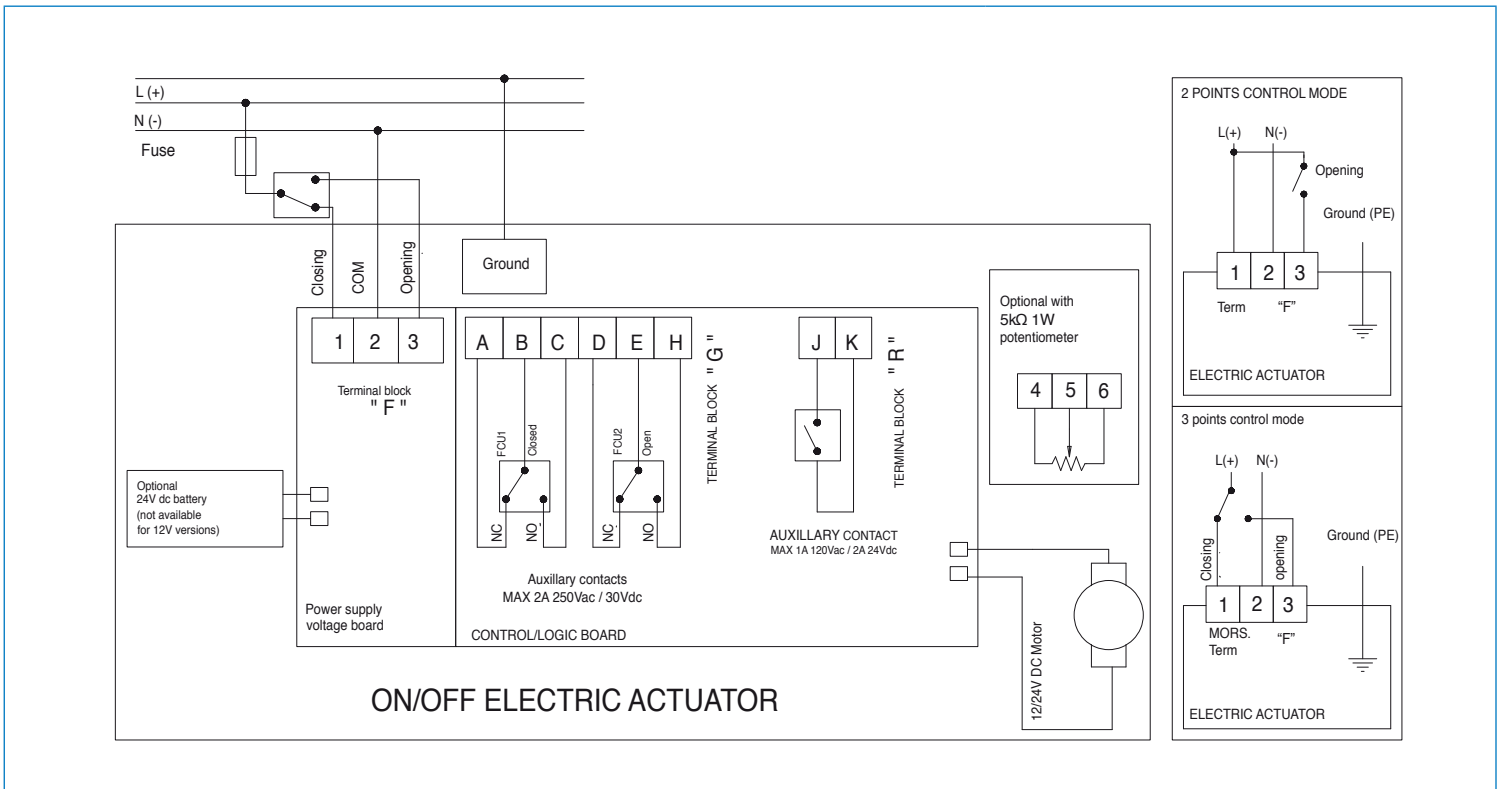
DIMENSIONS



SIZE	A	B	C	D	E	F	ACT.
2"	2.22	12.88	8.82	6.41	4.84	1.69	VB015
3"	2.74	15.49	11.04	7.48	6.18	1.81	VB030
4"	3.13	16.93	12.40	8.43	7.28	2.20	VB060
6"	6.02	21.72	14.75	9.33	8.31	2.78	VB110
8"	7.88	24.16	15.89	9.33	8.31	3.35	VB190
10"	10.03	32.31	18.63	9.72	8.74	4.29	VB350
12"	12.25	41.13	24.19	15.50	11.57	5.24	EA450

ON/OFF WIRING DIAGRAM

12V AC/DC, 24V AC/DC & 100-240VAC



POSITIONER WIRING DIAGRAM

12V AC/DC, 24V AC/DC & 100-240VAC

